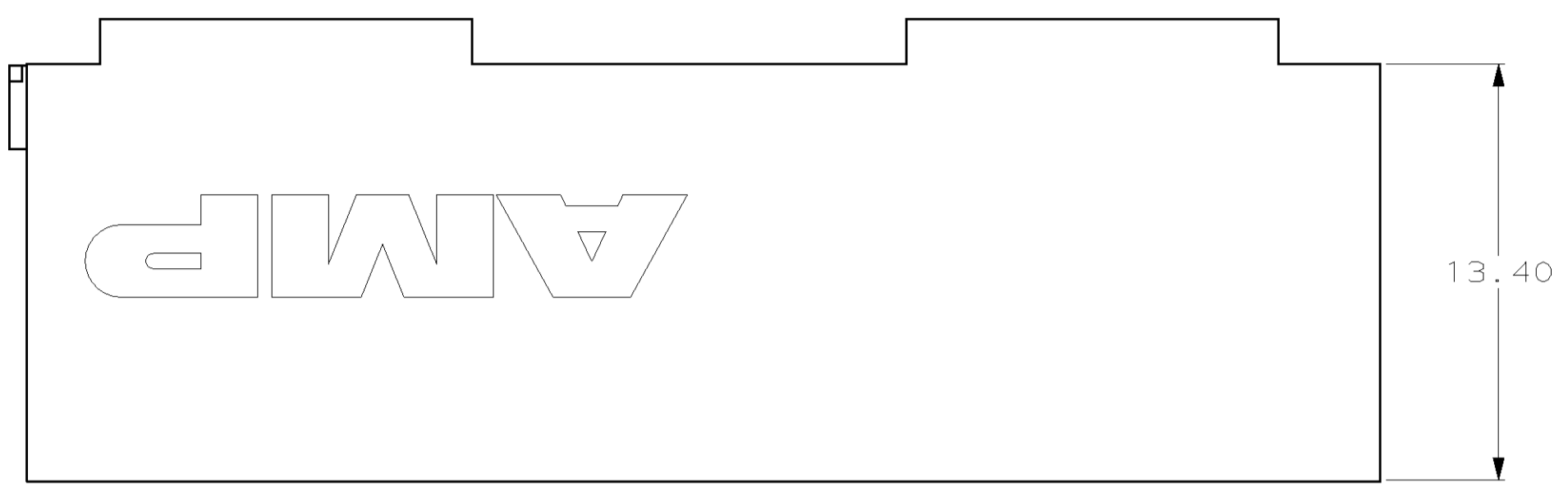
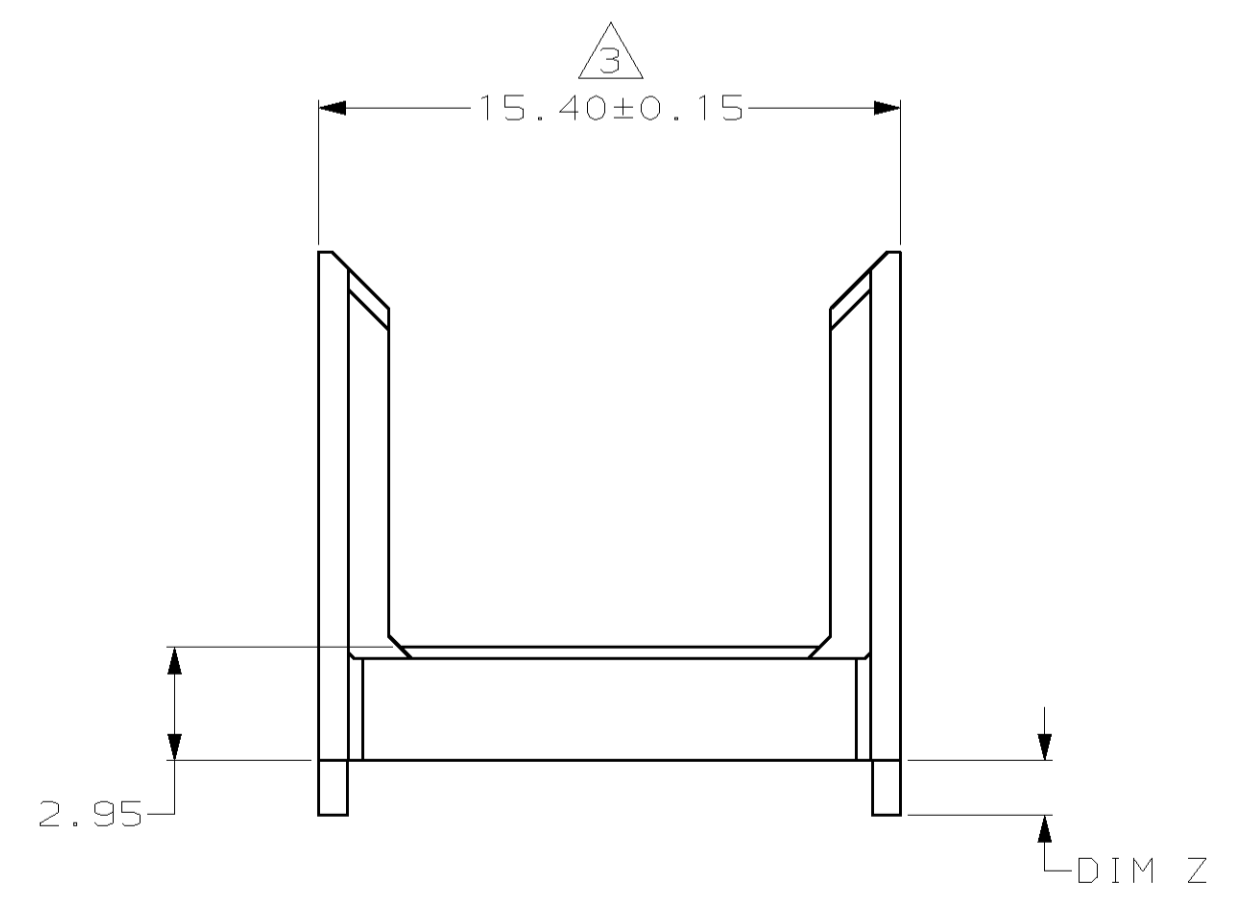
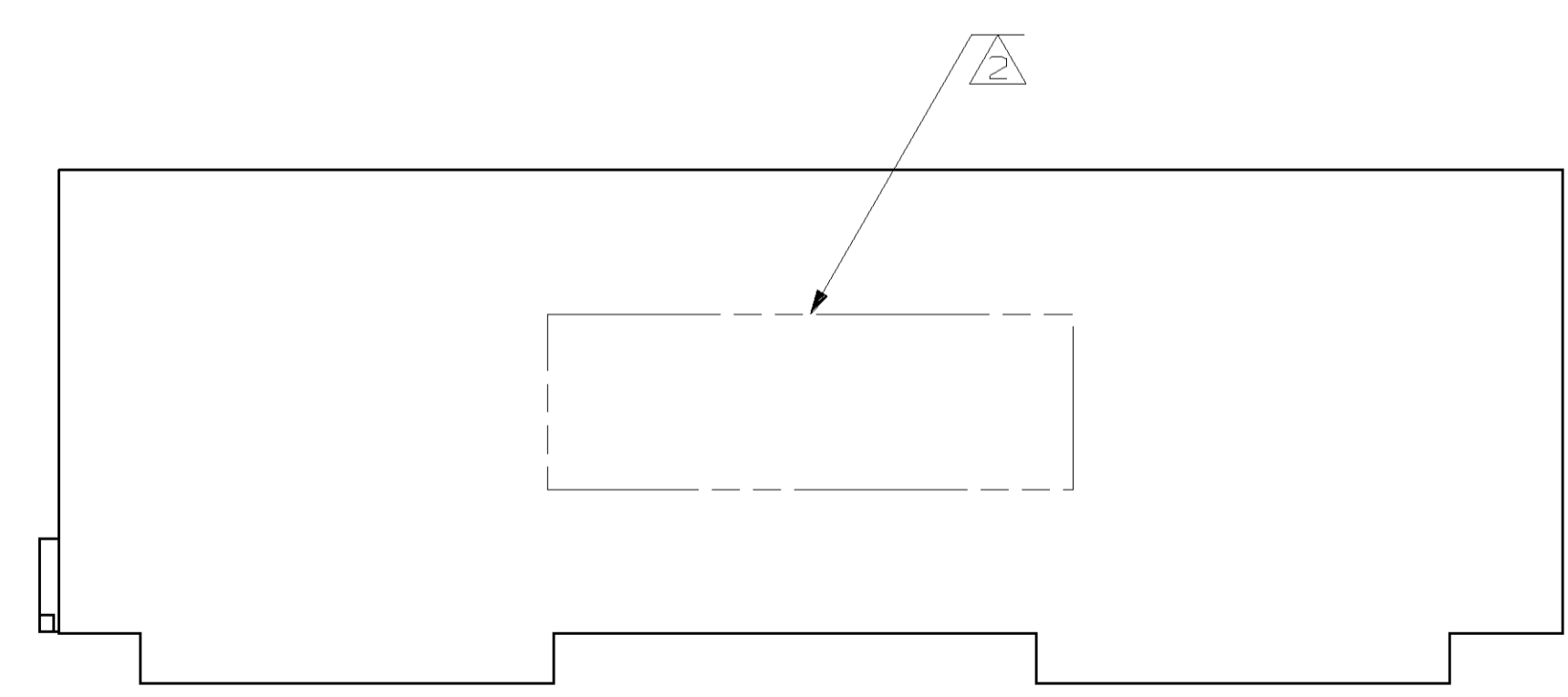
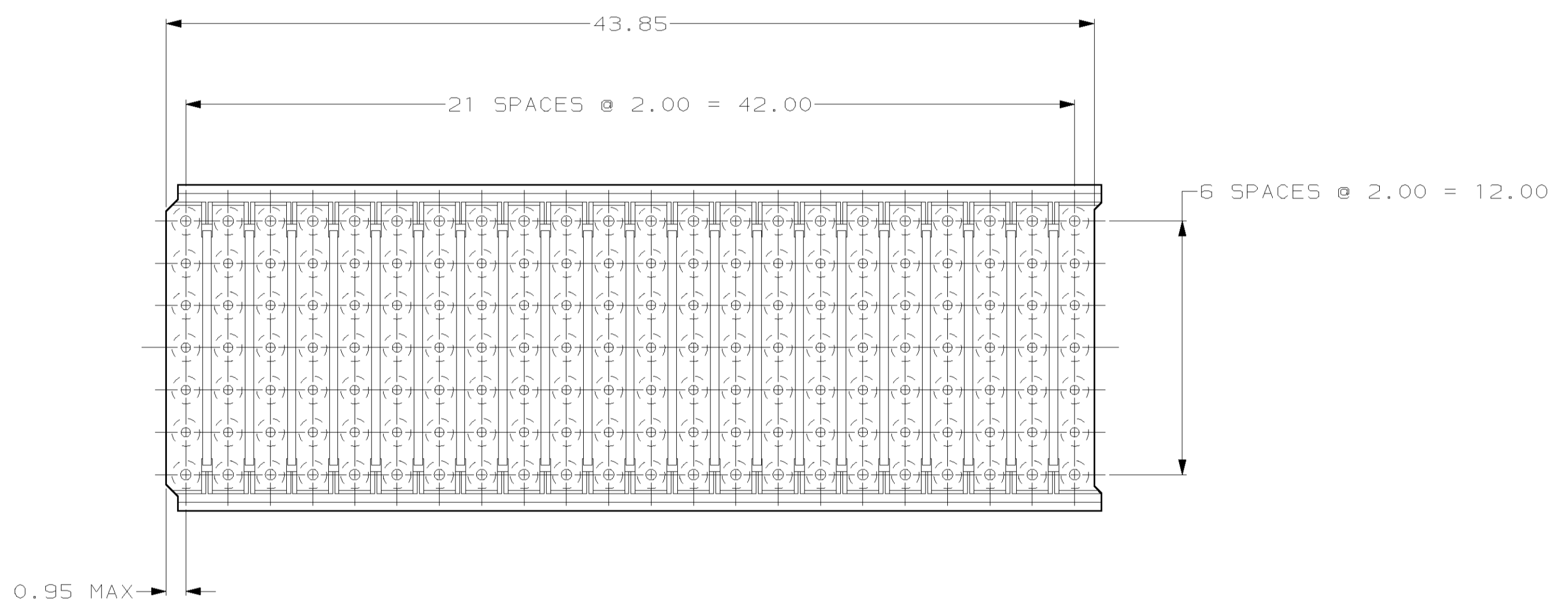


LOC	DIST	REVISIONS			
F	CHR	DESCRIPTION	DATE	ENR	APVD
A		PER EC 0G20-0041-99	4-20-99	TS	RP
B		REVISE PER ECN 0U1B-0389-00	22 JAN 01	SU	RP
C		REV PER EC 0U1B-0192-01	27 JUN 01	BC	RP



- ① MATERIAL: GLASS FILLED POLYESTER.
- ② PART NUMBER MARKED IN APPROXIMATE AREA SHOWN.
- ③ TO BE MEASURED AT BASE OF SHROUD.



1.90	646482-7
1.70	646482-6
1.50	646482-5
1.30	646482-4
1.10	646482-3
0.90	646482-2
———	646482-1
DIM Z	PART NUMBER

THIS DRAWING IS A CONTROLLED DOCUMENT.

DWN	T. SHUEY	9-29-98
CHK	G. SKIPPER	11-23-98
APVD	G. SKIPPER	11-23-98
PRODUCT SPEC	-	
APPLICATION SPEC	-	
WEIGHT	-	
CUSTOMER DRAWING	-	

AMP Incorporated  
 Harrisburg, PA 17105-3608

NAME: SHROUD, TYPE B, Z-PACK 2mm HM, 5 ROW, 154 POSITION

SIZE: A1 CAGE CODE: 00779 DRAWING NO: 646482 RESTRICTED TO: -

SCALE: 5:1 SHEET: 1 OF 1 REV: C